



QUALITY FILTERS, INC.

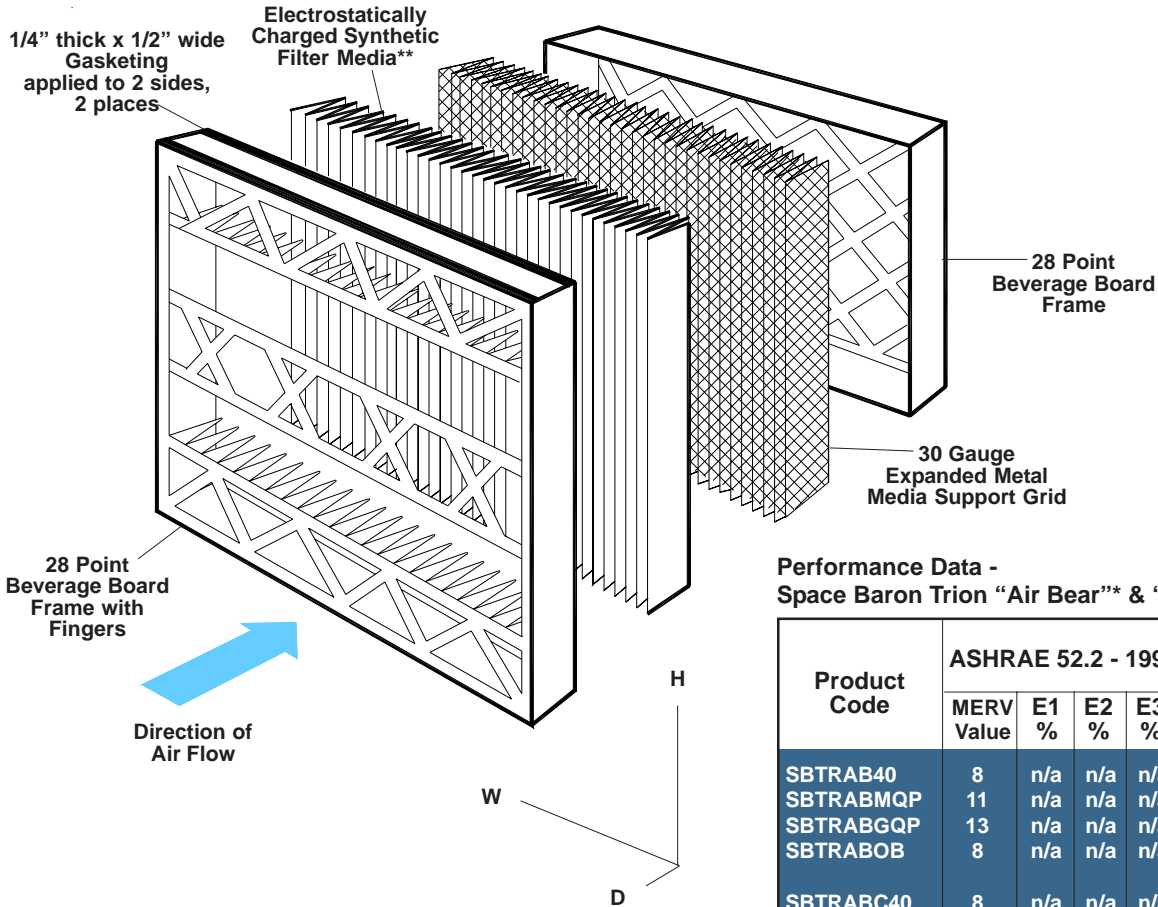
THINKSIMPLE. THINKSMART. THINKQUALITY.

23351 Grissom Drive
 Robertsdale, AL 36567
 www.QualityFilters.com

Phone: (251) 947-2400
 Order Fax: (251) 947-2499
 Sales Fax: (251) 947-7948

Quality Filters Space Baron Trion "Air Bear"™ and "Air Bear Cub"™

Date 22 Dec 09	Dwg No.	Rev
Date 22 Dec 09	Q-110030	B



Performance Data - Space Baron Trion "Air Bear"™ & "Air Bear Cub"™

Product Code	ASHRAE 52.2 - 1999				Initial Resistance	Final Resistance
	MERV Value	E1 %	E2 %	E3 %	"w.g." @ 295 fpm	"w.g." @ 295 fpm
SBTRAB40	8	n/a	n/a	n/a	0.08	.50
SBTRABMQP	11	n/a	n/a	n/a	0.094	.50
SBTRABGQP	13	n/a	n/a	n/a	0.22	.50
SBTRABOB	8	n/a	n/a	n/a	0.1	.50
SBTRABC40	8	n/a	n/a	n/a	0.08	.50
SBTRABCMQP	11	n/a	n/a	n/a	0.094	.50
SBTRABCGQP	13	n/a	n/a	n/a	0.22	.50
SBTRABCOB	8	n/a	n/a	n/a	0.1	.50

Notes:

Space Baron Trion "Air Bear"™ and "Air Bear Cub"™ Residential Air Cleaner replacement filters are specifically designed to replace other 20" x 25" x 5" and 16" x 25" x 3" ducted air products. Space Baron's Trion "Air Bear"™ and "Air Bear Cub"™ are available in 3 efficiencies including: MERV 8, MERV 11, MERV 13 and Carbon medias.

Part Number Guide

Product Code	Description	Nominal Dimensions	Actual Frame Dimensions w/o Gasketing
SBTRAB40	Type 40 - MERV 8	20" x 25" x 5"	19.5625"x24.0625"x4.75"
SBTRAB2040	Type 40 - MERV 8	20" x 20" x 5"	19.6875"x20.6875x4.875"
SBTRABC40	Type 40 - MERV 8	16" x 25" x 3"	15.75" x 24.25" x 3"
SBTRAB1640	Type 40 - MERV 8	16" x 25" x 5"	15.8125"x23.375"x4.75"
SBTRABMQP	MQP - MERV 11	20" x 25" x 5"	19.5625"x24.0625"x4.75"
SBTRAB20MQP	MQP - MERV 11	20" x 20" x 5"	19.6875"x20.6875x4.875"
SBTRABCMQP	MQP - MERV 11	16" x 25" x 3"	15.75" x 24.25" x 3"
SBTRAB16MQP	MQP - MERV 11	16" x 25" x 5"	15.8125"x23.375"x4.75"
SBTRABGQP	GQP - MERV 13	20" x 25" x 5"	19.5625"x24.0625"x4.75"
SBTRAB20GQP	GQP - MERV 13	20" x 20" x 5"	19.6875"x20.6875x4.875"
SBTRABCGQP	GQP - MERV 13	16" x 25" x 3"	15.75" x 24.25" x 3"
SBTRAB16GQP	GQP - MERV 13	16" x 25" x 5"	15.8125"x23.375"x4.75"
SBTRABOB	Odor Ban - MERV 8	20" x 25" x 5"	19.5625"x24.0625"x4.75"
SBTRAB20OB	Odor Ban - MERV 8	20" x 20" x 5"	19.6875"x20.6875x4.875"
SBTRABCOB	Odor Ban - MERV 8	16" x 25" x 3"	15.75" x 24.25" x 3"
SBTRAB16OB	Odor Ban - MERV 8	16" x 25" x 5"	15.8125"x23.375"x4.75"

Characteristics	Space Baron Trion "Air Bear"™ and "Air Bear Cub"™
Filter Media - Particulate	100% synthetic gradient media, electrostatically charged
Filter Media - Odor Ban	Fine carbon powder bonded to lofted polyester media
Filter Support Grid	30 gauge galvanized expanded metal grid
Frame	Moisture resistant 28 point beverage board
Gasketing	Closed cell urethane foam
Assembly Technique	Media pack totally bonded to frame
Max. Temperature	180°F (82°C) continuous service, Peaks 225°F (107°C)
Max. Humidity	Resistant to 100% R.H.

*Trade names and company names are used for identification purposes only.