



QUALITY FILTERS, INC.

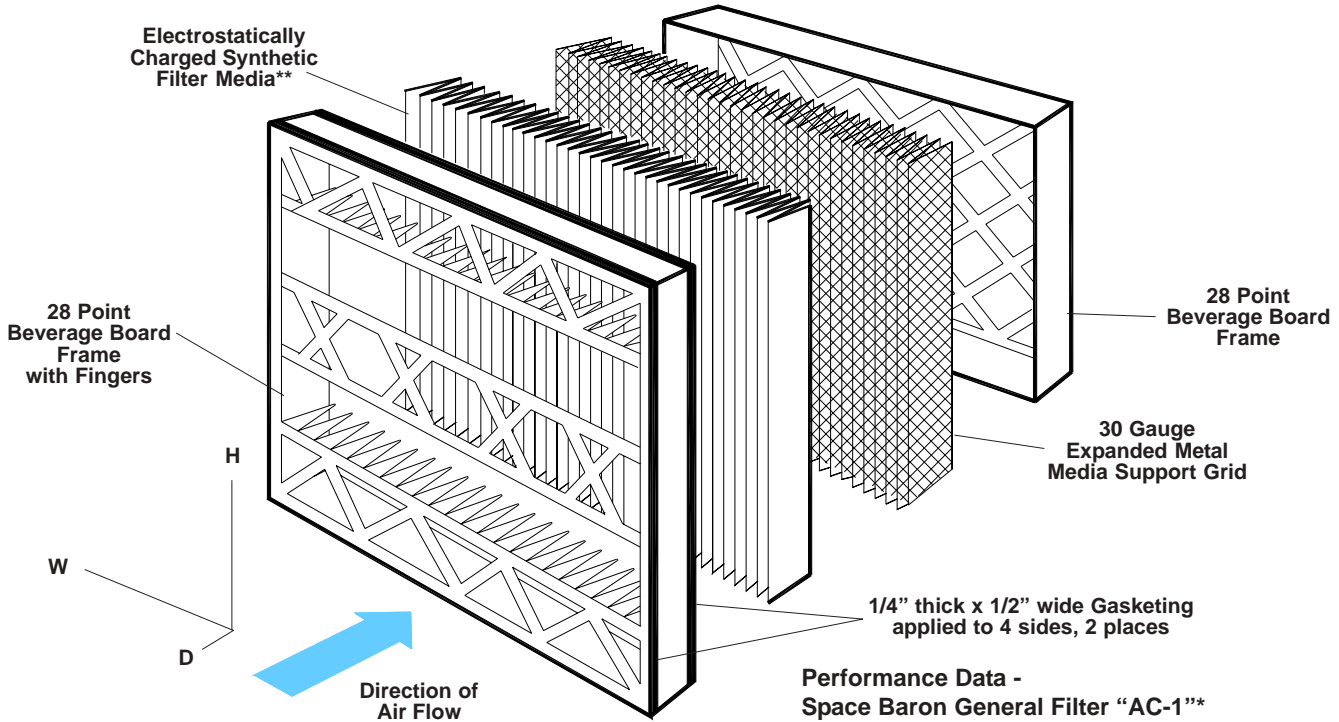
THINKSIMPLE. THINKSMART. THINKQUALITY.

23351 Grissom Drive
 Robertsdale, AL 36567
 www.QualityFilters.com

Phone: (251) 947-2400
 Order Fax: (251) 947-2499
 Sales Fax: (251) 947-7948

Quality Filters Space Baron General Filter "AC-1"* 20" x 24" x 5"

Date 22 Dec 09	Dwg No.	Rev
Date 22 Dec 09	Q-110020	C



Performance Data - Space Baron General Filter "AC-1"*

Product Code	ASHRAE 52.2 - 1999			Resistance "w.g."		
	MERV Value	E1 %	E2 %	E3 %	Initial @ 295 fpm	Final @ 295 fpm
SBGF140	8	n/a	n/a	n/a	0.08	.50
SBGF1MQP	11	n/a	n/a	n/a	0.094	.50
SBGF1GQP	13	n/a	n/a	n/a	0.22	.50
SBGF1OB**	8	n/a	n/a	n/a	0.1	.50

Notes:

Space Baron General Filter "AC-1"* Residential Air Cleaner replacement filters are 5" deep pleated Quality Pleats that are specifically designed to replace other 20" x 24" ducted air products. Space Baron General Filter "AC-1"* is available in 3 efficiencies including: MERV 8, MERV 11, MERV 13 and Carbon medias.

Part Number Guide

Product Code	Description	Nominal Dimensions	Actual Frame Dimensions w/o Gasketing
SBGF140	Type 40 - MERV 8	20" x 24" x 5"	19.5625" x 24.0625" x 4.75"
SBGF1MQP	MQP - MERV 11	20" x 24" x 5"	19.5625" x 24.0625" x 4.75"
SBGF1GQP	GQP - MERV 13	20" x 24" x 5"	19.5625" x 24.0625" x 4.75"
SBGF1BOB	Odor Ban - MERV 8	20" x 24" x 5"	19.5625" x 24.0625" x 4.75"

*Trade names and company names are used for identification purposes only.

Characteristics	Space Baron General Filter "AC-1"*
Filter Media - Particulate	100% synthetic gradient media, electrostatically charged
Filter Media - Odor Ban	Fine carbon powder bonded to lofted polyester media
Filter Support Grid	30 gauge galvanized expanded metal grid
Frame	Moisture resistant 28 point beverage board
Gasketing	Closed cell urethane foam
Assembly Technique	Media pack totally bonded to frame
Max. Temperature	180°F (82°C) continuous service, Peaks 225°F (107°C)
Max. Humidity	Resistant to 100% R.H.