



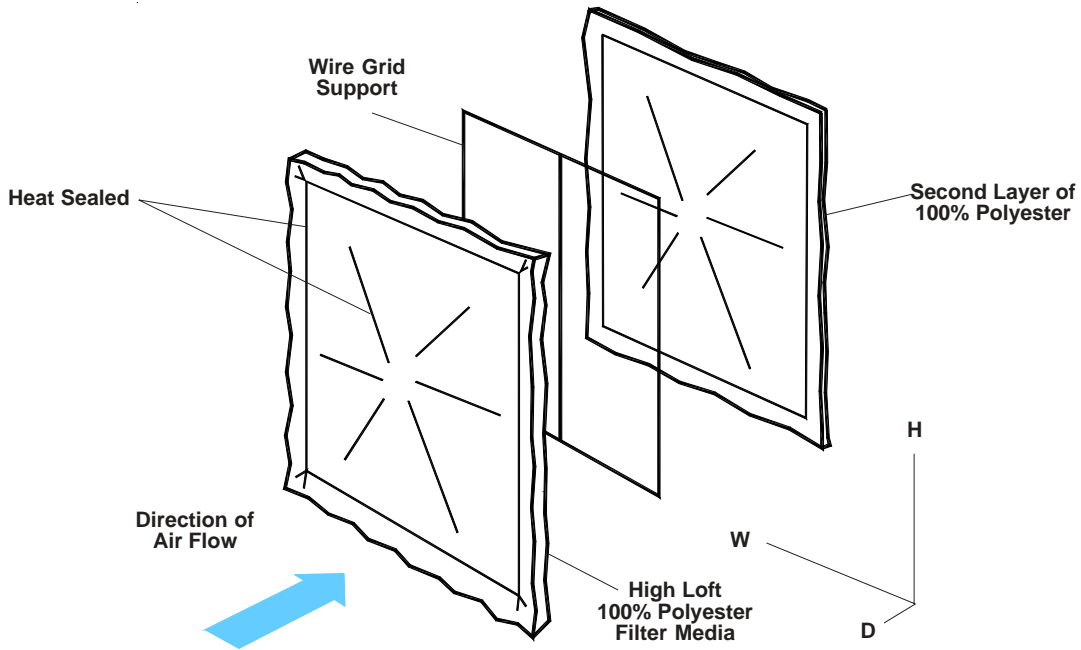
QUALITY FILTERS, INC.

THINKSIMPLE. THINKSMART. THINKQUALITY.

23351 Grissom Drive
 Robertsdale, AL 36567
 www.QualityFilters.com

Phone: (251) 947-2400
 Order Fax: (251) 947-2499
 Sales Fax: (251) 947-7948

Quality Seal RPDX1 - RLDX1		
High Loft Polyester Ring Panel Filters		
Date 30 Jul 09	Dwg No.	Rev
Date 30 Jul 09	Q-110003	B



Notes:

Quality Seal RPDX1 Polyester Ring Panels and RLDX1 Linked Panel Filters are available in 1" thick 2 ply panels. These panels are constructed of a blend of three different fiber deniers in two polyester layers sealed around an internal support wire.

Media layers are graduated density - the air entering layer is 1/2" dry poly and has larger, more open fibers for good dust loading. The air exit layer is 1/2" tackified poly with smaller, tighter woven fibers for high efficiency.

Heavy gage galvanized internal support wire assures stability under high air velocity and heavy dirt loading.

Media overlap around all edges provides an air-tight seal to prevent dust bypass. Center seal pattern holds the polyester layers together to prevent sagging and fluttering.

A non-migrating tackifier applied to the downstream side of each panel acts as a final layer of defense by trapping and holding dust.

Custom size panels and links are available in media combinations of your choice.

Size Availability Chart

Nominal Width (in.)	Number of Panels per Filter						
	Nominal Height (in.)						
	10	12	15	16	20	24	25
20	1	-	1	1	1	-	-
24	-	1	-	-	1	1	-
25	-	-	-	1	1	-	1
32	-	-	-	-	2	-	2
40	2	-	2	2	2	2	2
48	-	2	-	-	2	2	2
50	-	-	-	2	2	-	2
60	3	-	3	3	3	3	3
64	-	-	-	-	3	-	3
72	-	3	-	-	3	3	-
75	-	-	-	3	3	-	3
80	4	-	4	4	4	4	4
96	-	4	-	-	4	4	4
100	5	-	5	4	4	4	4
120	6	5	6	6	6	6	6
125	-	-	-	5	5	-	5
144	-	6	-	-	6	6	-
150	-	-	-	6	6	-	6

Part Number Guide

Product Code	Depth	Nominal Dimensions
RPDX	1	WxH
RLDX	1	WxH

Examples:
 RPDX11020 = Ring Panel DX, 1 in depth, 10x20
 RLDX110100 = Ring Links DX, 1 in depth, 10x100

Quality Seal Ring Panels and Links are also available in custom sizes.

Performance Data - Quality Seal Ring Panel Filters

Product Code	ASHRAE 52.2 - 1999				Initial Resistance "w.g."	Final Resistance "w.g."
	MERV Value	E1 %	E2 %	E3 %	@ 300 fpm	@ 300 fpm
RPDX1	< 5	n/a	n/a	n/a	0.14	1.00

Characteristics	Quality Seal Ring Panel Filters
Filter Media, Air Entry Layer	0.5 inch thick; 6 and 15 denier dry polyester
Filter Media, Air Exit Layer	0.5 inch thick; 6 and 3 denier tackified polyester blend
Support Grid	0.148 inch (9 gage) galvanized steel wire frame and cross wire
Assembly Technique	Thermally welded media encapsulating the support grid.
Max. Temperature	100°F (38°C) continuous service, Peaks 120°F (49°C)
Max. Humidity	Resistant to 100% R.H.