



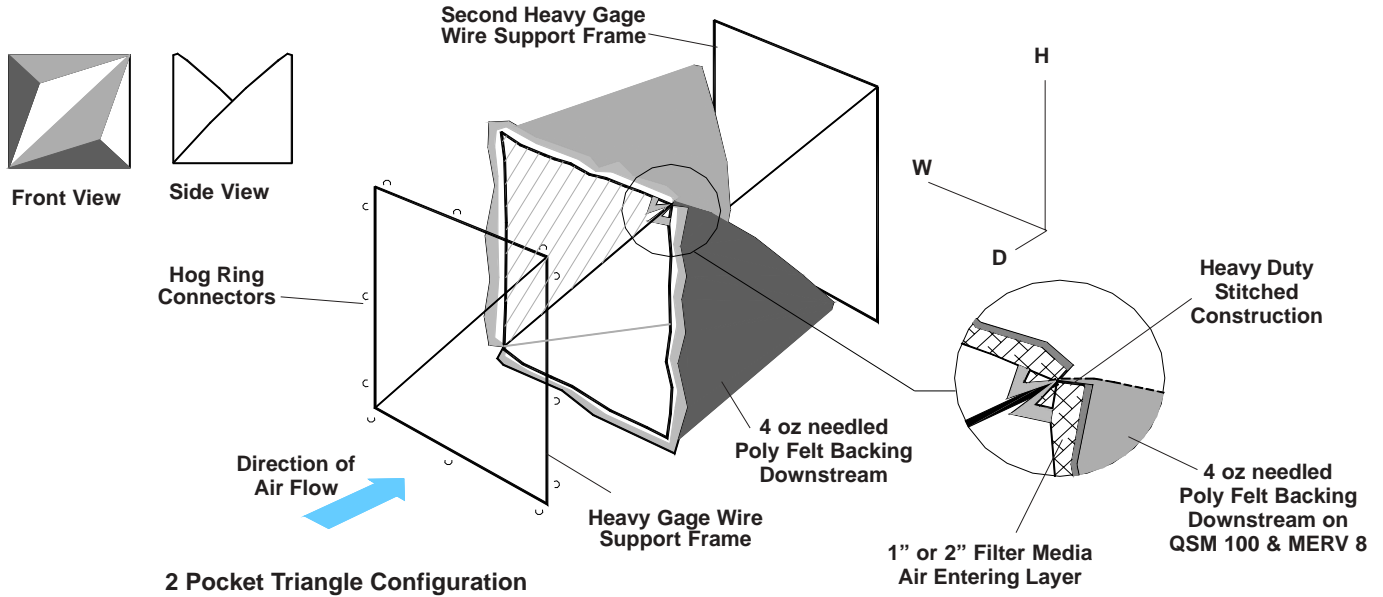
QUALITY FILTERS, INC.

THINKSIMPLE. THINKSMART. THINKQUALITY.

23351 Grissom Drive
 Robertsdale, AL 36567
 www.QualityFilters.com

Phone: (251) 947-2400
 Order Fax: (251) 947-2499
 Sales Fax: (251) 947-7948

QUALITY Q-Cube Filters Polyester Triangular 2 Pocket Filters		
Date 22 Dec 09	Dwg No. Q-110041	Rev C
Date 22 Dec 09		



Notes:

Quality's Q-Cube Filters offer up to five times the filter area of flat panels. Triangular two pocket configurations in any media or combination of medias are available.

Q-Cube Filters are the best way to maximize the service life and efficiency of the "Quality Seal" polyester medias.

Double wire frame construction encapsulates the media, providing a self sealing support that also withstands warping from heavy loading and aggressive installation.

Polyester overlap around the edges inhibits dust and paint bypass.

These versatile Q-Cubes are available in 5 efficiencies, including Paint Arrestor, Paint Arrestor QSM 100, 1" Tackified, 2" Tackified, and MERV 8.

Media Area (sq. ft.)

		2 Pkt Triangular Cubes			
		Depth	13"	14"	16"
Face Dimensions	12x24	6.71	-	-	-
	20x20		7.86	-	-
	20x25			10.0	-
	24x24				11.31

Part Number Guide

Product Code	Media	Dimensions	Header	No Support Wire
CFQ*	TBD	WxHxD	H	X
Examples:				
CFQPA122413 = Q-Cube Filter Triangular 2 Pkt, Paint Arrest Media, 12x24x13				
CFQQS242413H = Q-Cube Filter Triangular 2 Pkt, QS100 Media, 24x24x13, with Header				
CFQ1T122413 = Q-Cube Filter Triangular 2 Pkt, 1" Tackified Media, 12x24x13				
CFQ2T122413H = Q-Cube Filter Triangular 2 Pkt, 2" Tackified Media, 12x24x13, with Header				
CFQM8122413= Q-Cube Filter Triangular 2 Pkt, MERV 8 Media, 12x24x13				

*Q denotes 2 triangle shaped pockets

Typical Performance Data (24x24x13 - 2 Pocket Filter)

Media	ASHRAE 52.2 - 1999				Initial Resistance " w.g. @ 300 fpm	Final Resistance " w.g.
	MERV* Value	E1 %	E2 %	E3 %		
Paint Arrest	-	n/a	n/a	n/a	0.24	1.00
QSM 100	-	n/a	n/a	n/a	0.26	1.00
1" Tack	-	n/a	n/a	n/a	0.____	1.00
2" Tack	-	n/a	n/a	n/a	0.____	1.00
MERV 8	8	11	57	75	0.20	1.00

* 99.69% Average Removal on High Solid Paints

Characteristics	Quality Q-Cube Filters
Filter Media, Air Entry Layer	Paint Arrestor Media, Paint Arrestor QSM 100 Media, 1" Tackified Media, 2" Tackified Media, and MERV 8 Media.
Filter Media, Air Exit Layer	4 oz densely needed polyester on QSM 100 & MERV 8
Construction Technique	Sewn pockets with hog ring fasteners
Support Frames	Two 0.148 inch (9 gage) galvanized steel wire frames
Max. Temperature	100°F (38°C) continuous service, Peaks to 120°F (49°C)
Max. Humidity	Resistant to 100% R.H.