



QUALITYFILTERS, INC.

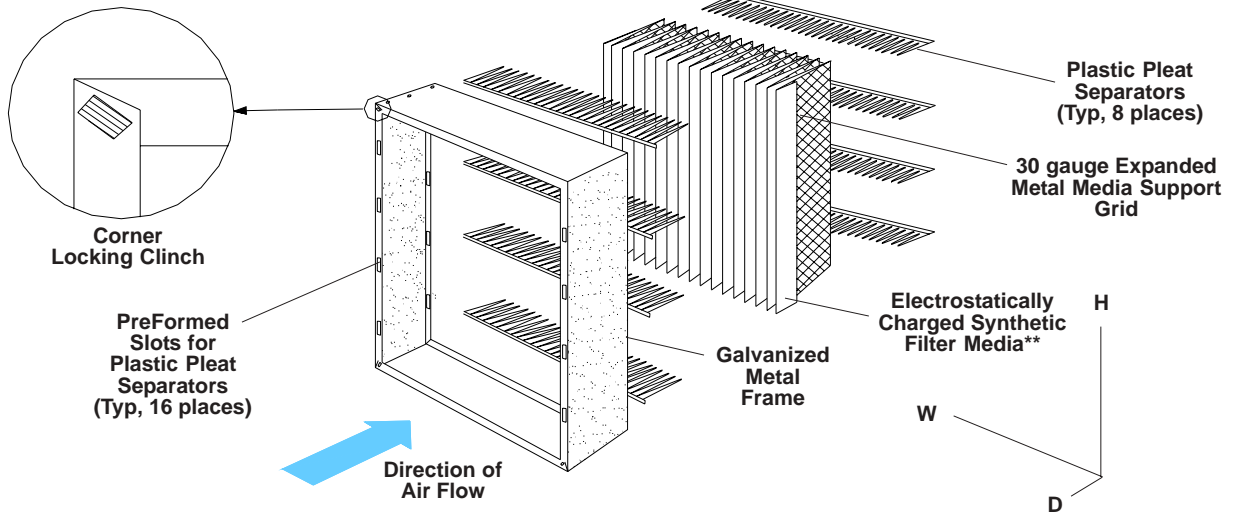
THINKSIMPLE. THINKSMART. THINKQUALITY.

23351 Grissom Drive
 Robertsdale, AL 36567
 www.QualityFilters.com

Phone: (251) 947-2400
 Order Fax: (251) 947-2499
 Sales Fax: (251) 947-7948

QualityFlow Pleated Filter MERV 11, 13 & MERV 14

Date 9 Feb 10	Dwg No.	Rev
Date 9 Feb 10	Q-110034	C



Part Number Guide

Product Code**	Description	Nominal Dimensions	Actual Dimensions	Sq Feet Media
QF1112244	MERV11	12" x 24" x 4"	11.375" x 23.375" x 3.75"	16
QF1116204	MERV11	16" x 20" x 4"	15.375" x 19.375" x 3.75"	18
QF1116244	MERV11	16" x 24" x 4"	15.375" x 23.375" x 3.75"	22
QF1116254	MERV11	16" x 25" x 4"	15.375" x 24.375" x 3.75"	23
QF1118244	MERV11	18" x 24" x 4"	17.375" x 23.375" x 3.75"	24
QF1120204	MERV11	20" x 20" x 4"	19.375" x 19.375" x 3.75"	23
QF1120244	MERV11	20" x 24" x 4"	19.375" x 23.375" x 3.75"	27
QF1120254	MERV11	20" x 25" x 4"	19.375" x 24.375" x 3.75"	28
QF1124244	MERV11	24" x 24" x 4"	23.375" x 23.375" x 3.75"	33
QFH1112244	MERV11w/hdr	12" x 24" x 4"	11.375" x 23.375" x 3.75"	14
QFH1116204	MERV11w/hdr	16" x 20" x 4"	15.375" x 19.375" x 3.75"	17
QFH1116244	MERV11w/hdr	16" x 24" x 4"	15.375" x 23.375" x 3.75"	20
QFH1116254	MERV11w/hdr	16" x 25" x 4"	15.375" x 24.375" x 3.75"	21
QFH1118244	MERV11w/hdr	18" x 24" x 4"	17.375" x 23.375" x 3.75"	22
QFH1120204	MERV11w/hdr	20" x 20" x 4"	19.375" x 19.375" x 3.75"	21
QFH1120244	MERV11w/hdr	20" x 24" x 4"	19.375" x 23.375" x 3.75"	25
QFH1120254	MERV11w/hdr	20" x 25" x 4"	19.375" x 24.375" x 3.75"	26
QFH1124244	MERV11w/hdr	24" x 24" x 4"	23.375" x 23.375" x 3.75"	31
QF1312244	MERV13	12" x 24" x 4"	11.375" x 23.375" x 3.75"	16
QF1316204	MERV13	16" x 20" x 4"	15.375" x 19.375" x 3.75"	18
QF1316244	MERV13	16" x 24" x 4"	15.375" x 23.375" x 3.75"	22
QF1316254	MERV13	16" x 25" x 4"	15.375" x 24.375" x 3.75"	23
QF1318244	MERV13	18" x 24" x 4"	17.375" x 23.375" x 3.75"	24
QF1320204	MERV13	20" x 20" x 4"	19.375" x 19.375" x 3.75"	23
QF1320244	MERV13	20" x 24" x 4"	19.375" x 23.375" x 3.75"	27
QF1320254	MERV13	20" x 25" x 4"	19.375" x 24.375" x 3.75"	28
QF1324244	MERV13	24" x 24" x 4"	23.375" x 23.375" x 3.75"	33
QFH1312244	MERV13w/hdr	12" x 24" x 4"	11.375" x 23.375" x 3.75"	14
QFH1316204	MERV13w/hdr	16" x 20" x 4"	15.375" x 19.375" x 3.75"	17
QFH1316244	MERV13w/hdr	16" x 24" x 4"	15.375" x 23.375" x 3.75"	20
QFH1316254	MERV13w/hdr	16" x 25" x 4"	15.375" x 24.375" x 3.75"	21
QFH1318244	MERV13w/hdr	18" x 24" x 4"	17.375" x 23.375" x 3.75"	22
QFH1320204	MERV13w/hdr	20" x 20" x 4"	19.375" x 19.375" x 3.75"	21
QFH1320244	MERV13w/hdr	20" x 24" x 4"	19.375" x 23.375" x 3.75"	25
QFH1320254	MERV13w/hdr	20" x 25" x 4"	19.375" x 24.375" x 3.75"	26
QFH1324244	MERV13w/hdr	24" x 24" x 4"	23.375" x 23.375" x 3.75"	31
QF1412244	MERV14	12" x 24" x 4"	11.375" x 23.375" x 3.75"	16
QF1416204	MERV14	16" x 20" x 4"	15.375" x 19.375" x 3.75"	18
QF1416244	MERV14	16" x 24" x 4"	15.375" x 23.375" x 3.75"	22
QF1416254	MERV14	16" x 25" x 4"	15.375" x 24.375" x 3.75"	23
QF1418244	MERV14	18" x 24" x 4"	17.375" x 23.375" x 3.75"	24
QF1420204	MERV14	20" x 20" x 4"	19.375" x 19.375" x 3.75"	23
QF1420244	MERV14	20" x 24" x 4"	19.375" x 23.375" x 3.75"	27
QF1420254	MERV14	20" x 25" x 4"	19.375" x 24.375" x 3.75"	28
QF1424244	MERV14	24" x 24" x 4"	23.375" x 23.375" x 3.75"	33
QFH1412244	MERV14w/hdr	12" x 24" x 4"	11.375" x 23.375" x 3.75"	14
QFH1416204	MERV14w/hdr	16" x 20" x 4"	15.375" x 19.375" x 3.75"	17
QFH1416244	MERV14w/hdr	16" x 24" x 4"	15.375" x 23.375" x 3.75"	20
QFH1416254	MERV14w/hdr	16" x 25" x 4"	15.375" x 24.375" x 3.75"	21
QFH1418244	MERV14w/hdr	18" x 24" x 4"	17.375" x 23.375" x 3.75"	22
QFH1420204	MERV14w/hdr	20" x 20" x 4"	19.375" x 19.375" x 3.75"	21
QFH1420244	MERV14w/hdr	20" x 24" x 4"	19.375" x 23.375" x 3.75"	25
QFH1420254	MERV14w/hdr	20" x 25" x 4"	19.375" x 24.375" x 3.75"	26
QFH1424244	MERV14w/hdr	24" x 24" x 4"	23.375" x 23.375" x 3.75"	31

Notes:

QualityFlow 4" pleated filters are designed to handle high airflow and provide low pressure drop. QualityFlow 4" filters utilize a durable frame and media that stand up to turbulence and abrasion that typical medias cannot withstand. QualityFlow media also provides lower pressure drop than standard mini pleat filters to relieve strain on motors, which reduces energy costs, while providing high dust holding and long filter life. QualityFlow 4" pleated filters are available in MERV 11, 13 and 14 ratings per ASHRAE 52.2.

Performance Data - QualityFlow MERV 11, 13 & MERV 14

Product Code	ASHRAE 52.2 - 1999				Initial Resistance "w.g.	
	MERV Value	E1 %	E2 %	E3 %	@ 1968 cfm	@ 1968 cfm
QF1124244	11	37.6	72.0	88.2	0.209	1.4
QF1324244	13	66.8	90.7	987	0.265	1.4
QF1424244	14	75.2	95.5	99.2	0.457	1.4

Characteristics	QualityFlow Pleated Filters
Filter Media - Particulate	100% synthetic gradient media, electrostatically charged
Media Support Grid	30 gauge expanded metal media support grid
Pleat Separators	Plastic pleat separators
Frame	30 gauge galvanized expanded metal frame
Assembly Technique	Media pack totally bonded to frame - Plastic media separators bonded to preformed slots
Max. Temperature	150°F (65°C) continuous service, Peaks 200°F (93°C)
Max. Humidity	Resistant to 100% R.H.

*Trade names and company names are used for identification purposes only.